

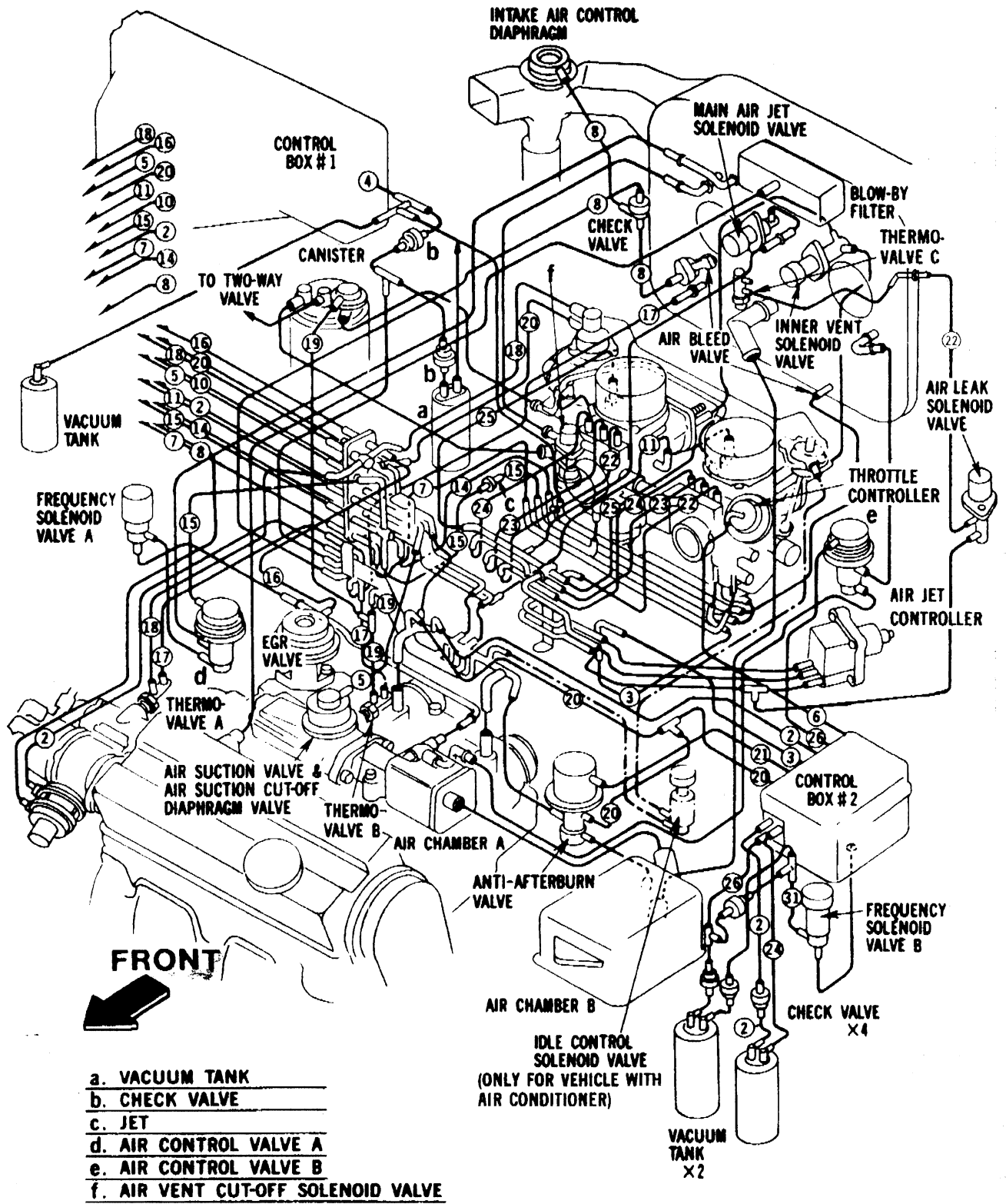
Carbureted Engine

System Description	12-2
Inspection	12-25



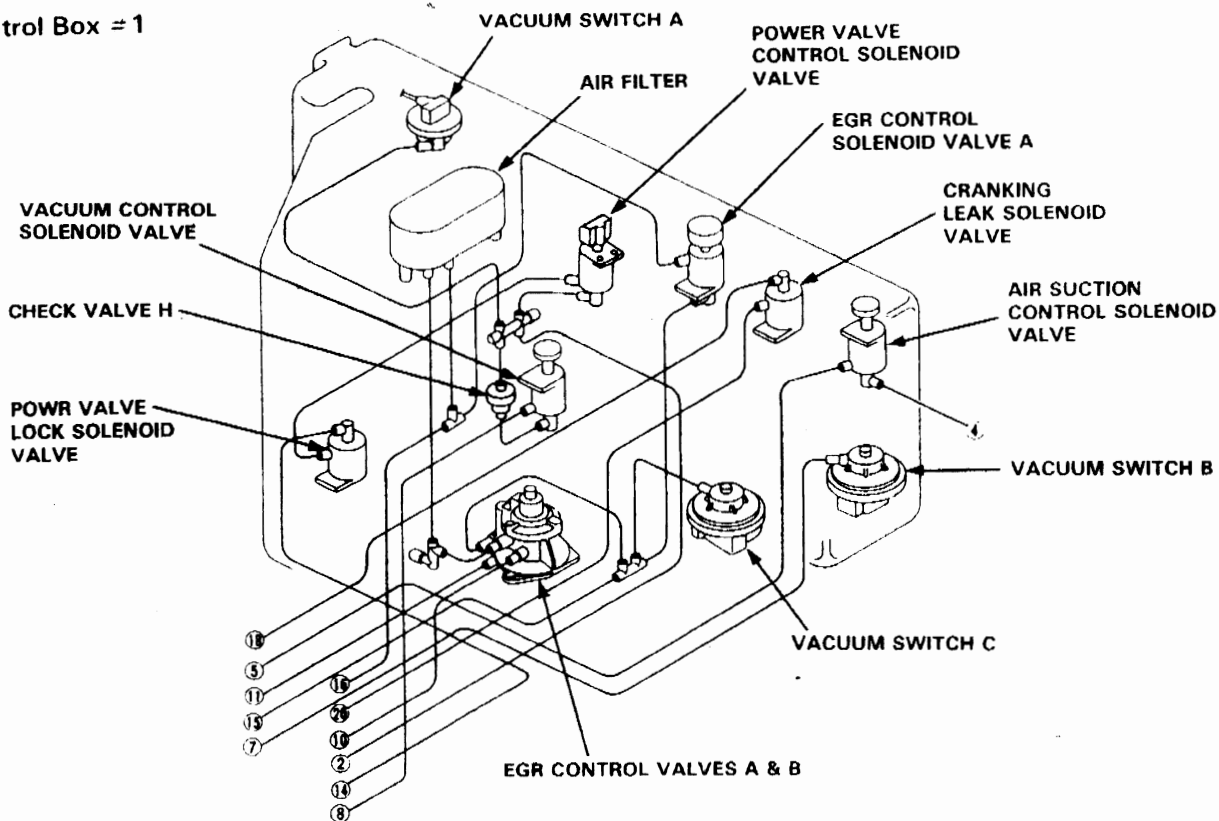
Description

Interconnect Diagram

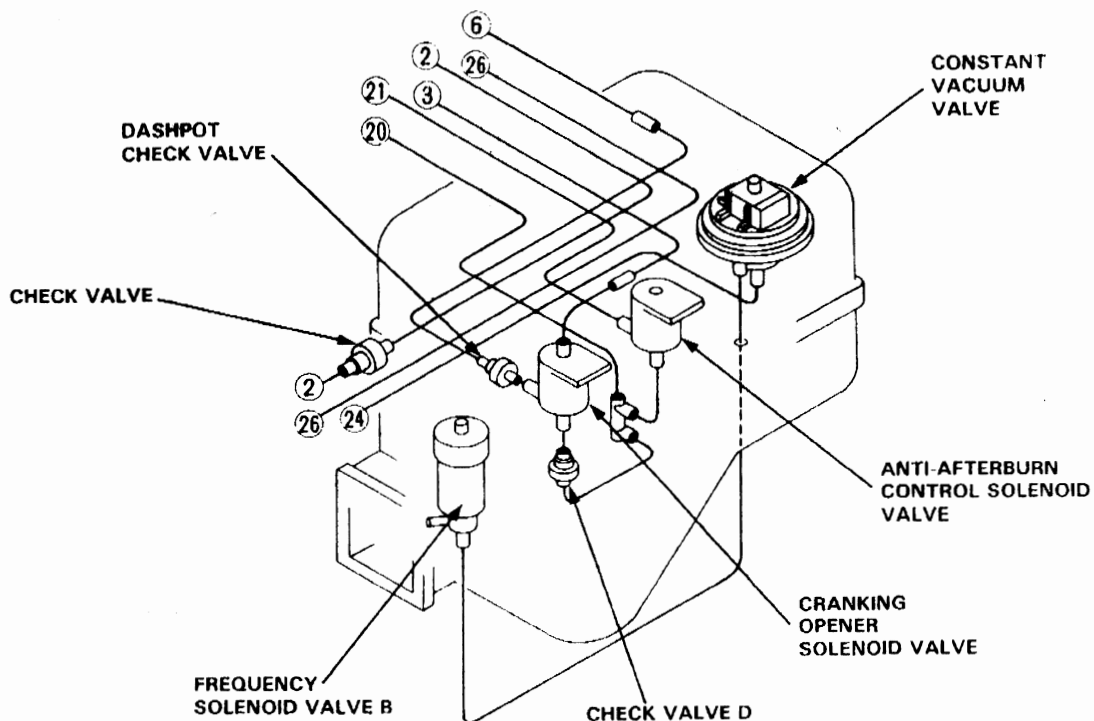




Control Box #1

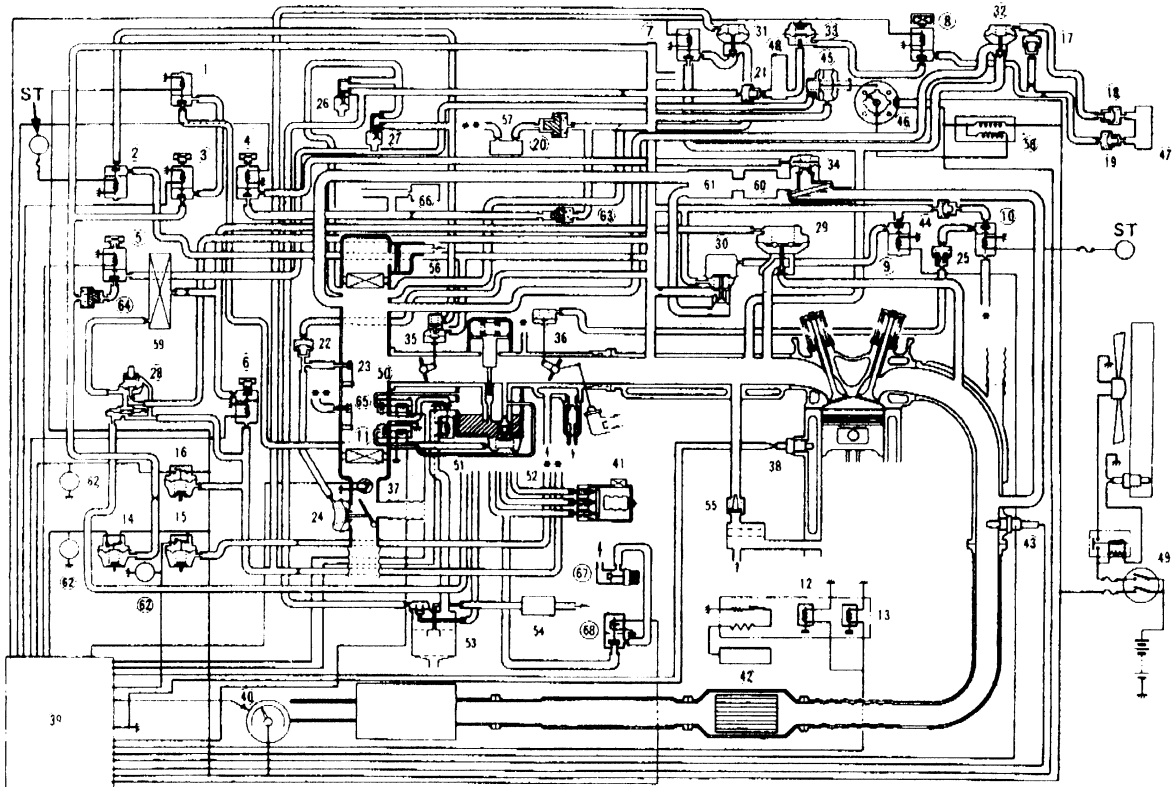


Control Box #2



Description

Vacuum and Electrical Connections



- | | | | |
|---|---|----|---|
| ① | POWER VALVE LOCK SOLENOID VALVE | ③④ | AIR SUCTION VALVE |
| ② | CRANKING LEAK SOLENOID VALVE | ③⑤ | CHOKE OPENER |
| ③ | POWER VALVE CONTROL SOLENOID VALVE | ③⑥ | THROTTLE CONTROLLER |
| ④ | AIR SUCTION CONTROL SOLENOID VALVE | ③⑦ | INTAKE AIR TEMPERATURE SWITCH |
| ⑤ | VACUUM CONTROL SOLENOID VALVE | ③⑧ | THERMOSENSOR |
| ⑥ | EGR CONTROL SOLENOID VALVE A | ③⑨ | CONTROL UNIT |
| ⑦ | FREQUENCY SOLENOID VALVE A | ④① | SPEED SENSOR |
| ⑧ | FREQUENCY SOLENOID VALVE B | ④② | AIR JET CONTROLLER |
| ⑨ | ANTI-AFTERBURN CONTROL SOLENOID VALVE | ④③ | CATALYTIC CONVERTER |
| ⑩ | CRANKING OPENER SOLENOID VALVE | ④④ | OXYGEN SENSOR |
| ⑪ | MAIN AIR JET CONTROL SOLENOID VALVE | ④⑤ | CHECK VALVE D |
| ⑫ | RIGHT PRIMARY SLOW MIXTURE CUT-OFF SOLENOID VALVE | ④⑥ | DISTRIBUTOR VACUUM ADVANCE |
| ⑬ | LEFT PRIMARY SLOW MIXTURE CUT-OFF SOLENOID VALVE | ④⑦ | DISTRIBUTOR |
| ⑭ | VACUUM SWITCH A | ④⑧ | SURGE TANK A |
| ⑮ | VACUUM SWITCH B | ④⑨ | SURGE TANK B |
| ⑯ | VACUUM SWITCH C | ④⑩ | IGNITION SWITCH |
| ⑰ | CHECK VALVE A | ⑤① | INNER VENT SOLENOID VALVE |
| ⑱ | CHECK VALVE B | ⑤② | AIR VENT CUT-OFF SOLENOID VALVE |
| ⑲ | CHECK VALVE C | ⑤③ | POWER VALVE |
| ⑳ | CHECK VALVE F | ⑤④ | CANISTER |
| ㉑ | CHECK VALVE E | ⑤⑤ | TWO-WAY VALVE |
| ㉒ | CHECK VALVE (INTAKE AIR TEMP.) | ⑤⑥ | PCV VALVE |
| ㉓ | AIR BLEED VALVE A | ⑤⑦ | BLOW-BY FILTER |
| ㉔ | INTAKE AIR CONTROL DIAPHRAGM | ⑤⑧ | VACUUM TANK A |
| ㉕ | DASHPOT CHECK VALVE | ⑤⑨ | IGNITION COIL |
| ㉖ | THERMOVALVE B | ⑤⑩ | AIR FILTER |
| ㉗ | THERMOVALVE A | ⑥① | AIR CHAMBER A |
| ㉘ | EGR CONTROL VALVES A & B | ⑥② | AIR CHAMBER B |
| ㉙ | EGR VALVE | ⑥③ | AUXILIARY COIL |
| ⑳ | ANTI-AFTERBURN VALVE | ⑥④ | CHECK VALVE G |
| ㉑ | AIR CONTROL VALVE A | ⑥⑤ | CHECK VALVE H |
| ㉒ | AIR CONTROL VALVE B | ⑥⑥ | AIR BLEED VALVE B |
| ㉓ | CONSTANT VACUUM VALVE | ⑥⑦ | VACUUM TANK B |
| | | ⑥⑧ | THERMOVALVE C (in the air cleaner case) |
| | | ⑥⑨ | AIR LEAK SOLENOID VALVE |